



11NM65-U2

Preliminary

Power MOSFET

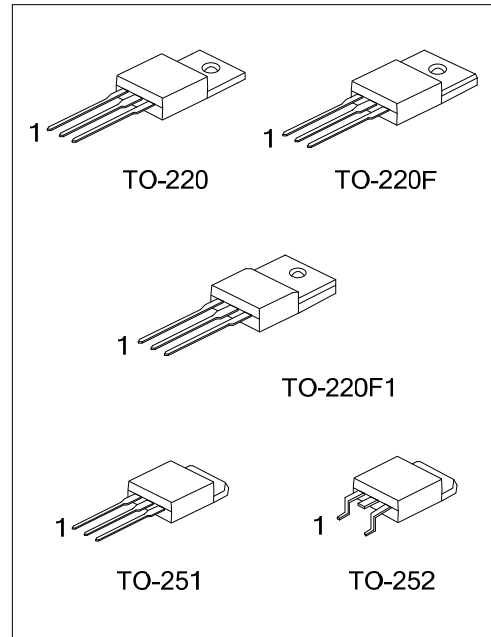
**11A, 650V N-CHANNEL
SUPER-JUNCTION MOSFET**

■ DESCRIPTION

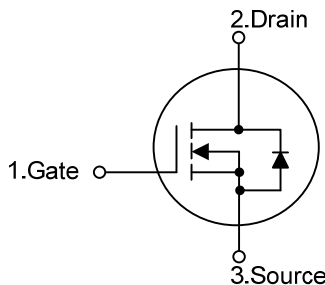
The **UTC 11NM65-U2** is a Super Junction MOSFET Structure and is designed to have better characteristics, such as fast switching time, low gate charge, low on-state resistance and a high rugged avalanche characteristics. This power MOSFET is usually used at DC-DC, AC-DC converters for power applications.

■ FEATURES

- * $R_{DS(ON)} < 0.55\Omega @ V_{GS}=10V, I_D=5.5A$
- * By using Super Junction Structure
- * Fast Switching
- * With 100% Avalanche Tested



■ SYMBOL



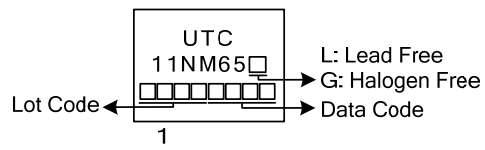
■ ORDERING INFORMATION

Ordering Number		Package	Pin Assignment			Packing
Lead Free	Halogen Free		1	2	3	
11NM65L-TA3-T	11NM65G-TA3-T	TO-220	G	D	S	Tube
11NM65L-TF3-T	11NM65G-TF3-T	TO-220F	G	D	S	Tube
11NM65L-TF1-T	11NM65G-TF1-T	TO-220F1	G	D	S	Tube
11NM65L-TM3-T	11NM65G-TM3-T	TO-251	G	D	S	Tube
11NM65L-TN3-R	11NM65G-TN3-R	TO-252	G	D	S	Tape Reel

Note: Pin Assignment: G: Gate D: Drain S: Source

<p>11NM65L-TF1-T</p> <p>(1)Packing Type</p> <p>(2)Package Type</p> <p>(3)Green Package</p>	<p>(1) T: Tube, R: Tape Reel</p> <p>(2) TA3: TO-220, TF3: TO-220F, TF1: TO-220F1, TM3: TO-251, TN3: TO-252</p> <p>(3) L: Lead Free, G: Halogen Free and Lead Free</p>
--	---

■ MARKING



■ ABSOLUTE MAXIMUM RATINGS ($T_c = 25^\circ\text{C}$, unless otherwise specified)

PARAMETER		SYMBOL	RATINGS	UNIT
Drain-Source Voltage		V_{DSS}	650	V
Gate-Source Voltage		V_{GSS}	± 30	V
Drain Current	Continuous	I_D	11	A
	Pulsed (Note 2)	I_{DM}	44	A
Avalanche Energy	Single Pulsed (Note 3)	E_{AS}	358	mJ
Peak Diode Recovery dv/dt (Note 4)		dv/dt	18	V/ns
Power Dissipation	TO-220	P_D	156	W
	TO-220F/TO-220F1		25	W
	TO-251/TO-252		60	W
Junction Temperature		T_J	+150	$^\circ\text{C}$
Storage Temperature Range		T_{STG}	-55 ~ +150	$^\circ\text{C}$

Notes: 1. Absolute maximum ratings are those values beyond which the device could be permanently damaged.

Absolute maximum ratings are stress ratings only and functional device operation is not implied.

2. Repetitive Rating : Pulse width limited by maximum junction temperature.

3. $L=132\text{mH}$, $I_{AS}=2.33\text{A}$, $V_{DD}=50\text{V}$, $R_G=25\Omega$, Starting $T_J=25^\circ\text{C}$

4. $I_{SD} \leq 11\text{A}$, $di/dt \leq 200\text{A}/\mu\text{s}$, $V_{DD} \leq BV_{DSS}$, Starting $T_J=25^\circ\text{C}$

■ THERMAL DATA

PARAMETER		SYMBOL	RATING	UNIT
Junction to Ambient	TO-220/TO-220F	θ_{JA}	62.5	$^\circ\text{C}/\text{W}$
	TO-220F1			
	TO-251/TO-252			
Junction to Case	TO-220	θ_{JC}	0.8	$^\circ\text{C}/\text{W}$
	TO-220F/TO-220F1			
	TO-251/TO-252			

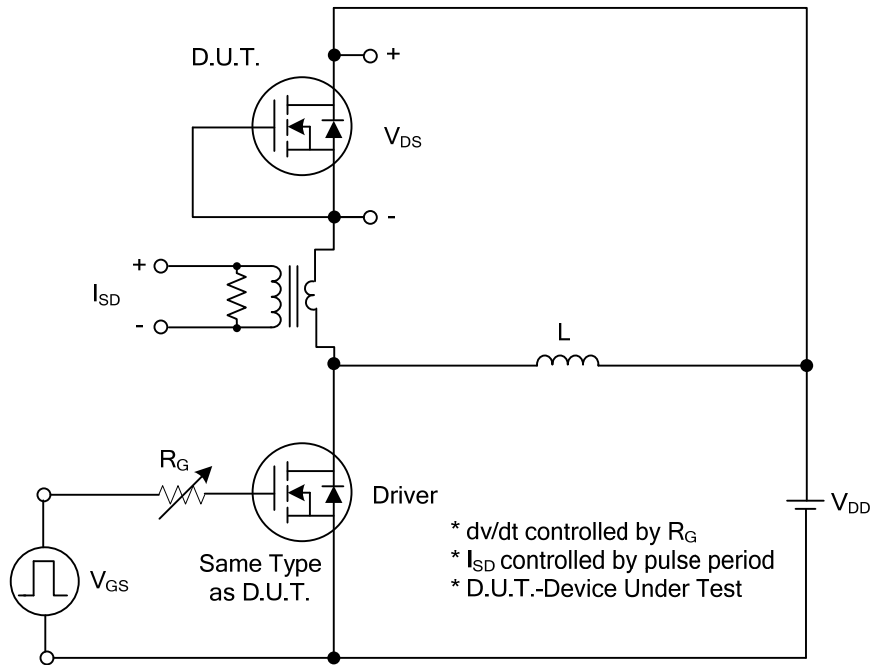
■ ELECTRICAL CHARACTERISTICS (T_J=25°C, unless otherwise specified)

PARAMETER		SYMBOL	TEST CONDITIONS	MIN	TYP	MAX	UNIT
OFF CHARACTERISTICS							
Drain-Source Breakdown Voltage		BV _{DSS}	V _{GS} =0V, I _D =250μA	650			V
Drain-Source Leakage Current		I _{DSS}	V _{DS} =650V, V _{GS} =0V			10	μA
Gate-Source Leakage Current	Forward	I _{GSS}	V _{DS} =0V, V _{GS} =30V			100	nA
	Reverse		V _{DS} =0V, V _{GS} =-30V			-100	nA
ON CHARACTERISTICS							
Gate Threshold Voltage		V _{GS(TH)}	V _{DS} = V _{GS} , I _D =250μA	2.5		4.5	V
Drain-Source On-State Resistance		R _{DS(ON)}	V _{GS} =10V, I _D =5.5A			0.55	Ω
DYNAMIC PARAMETERS							
Input Capacitance		C _{ISS}	V _{GS} =0V, V _{DS} =25V, f=1.0MHz		610		pF
Output Capacitance		C _{OSS}			377		pF
Reverse Transfer Capacitance		C _{RSS}			27		pF
SWITCHING PARAMETERS							
Total Gate Charge (Note 1)		Q _G	V _{DS} =50V, V _{GS} =10V, I _D =1.3A, I _G =100μA (Note 1, 2)		40		nC
Gate to Source Charge		Q _{GS}			4.6		nC
Gate to Drain Charge		Q _{GD}			12.8		nC
Turn-ON Delay Time (Note 1)		t _{D(ON)}	V _{DD} =30V, V _{GS} =10V, I _D =0.5A, R _G =25Ω (Note 1, 2)		74		ns
Rise Time		t _R			94		ns
Turn-OFF Delay Time		t _{D(OFF)}			254		ns
Fall-Time		t _F			116		ns
SOURCE- DRAIN DIODE RATINGS AND CHARACTERISTICS							
Maximum Body-Diode Continuous Current		I _S				11	A
Maximum Body-Diode Pulsed Current		I _{SM}				44	A
Drain-Source Diode Forward Voltage (Note 1)		V _{SD}	I _S =11A, V _{GS} =0V			1.4	V
Body Diode Reverse Recovery Time (Note 1)		t _{rr}	I _S =11A, V _{GS} =0V, dI _F /dt=100A/μs		358		ns
Body Diode Reverse Recovery Charge		Q _{rr}			4.8		μC

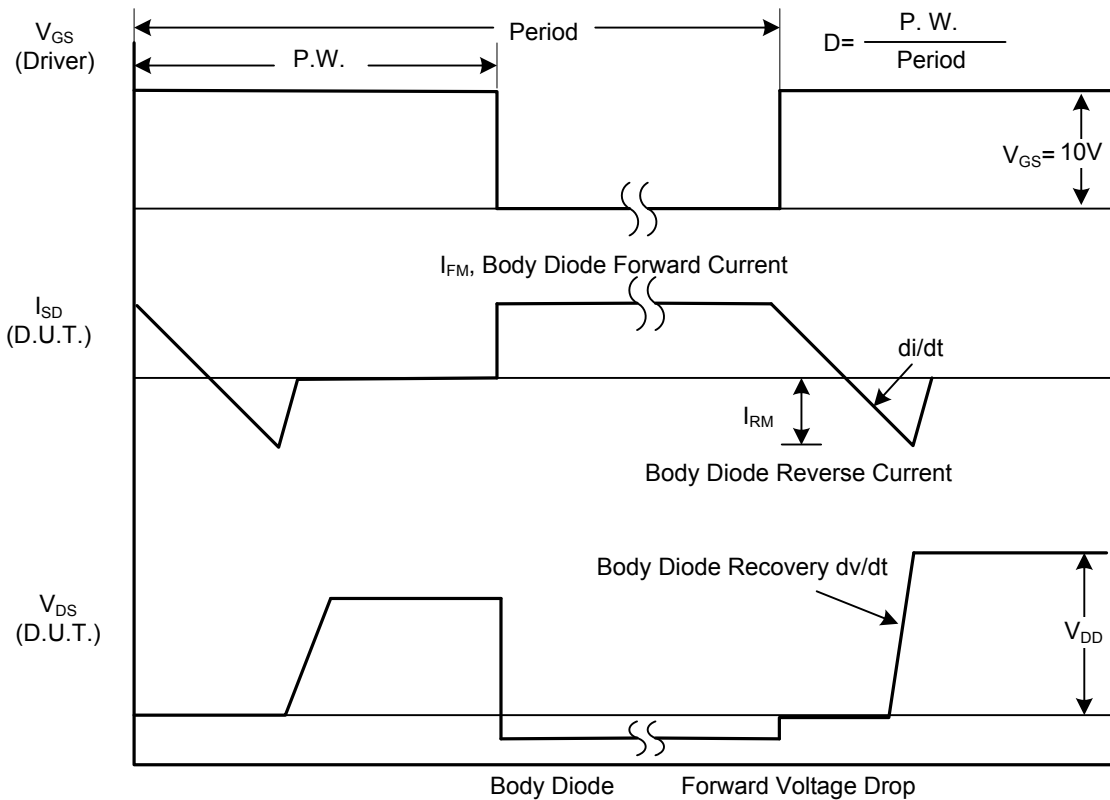
Notes: 1. Pulse Test : Pulse width ≤ 300μs, Duty cycle ≤ 2%.

2. Essentially independent of operating temperature.

■ TEST CIRCUITS AND WAVEFORMS

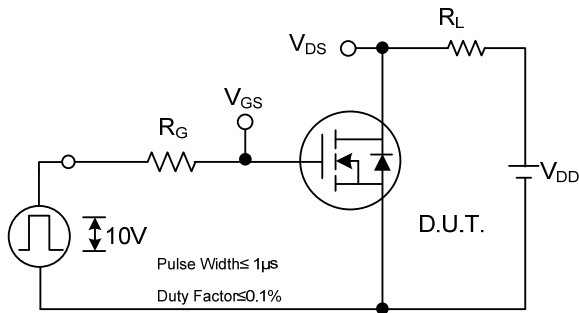


Peak Diode Recovery dv/dt Test Circuit

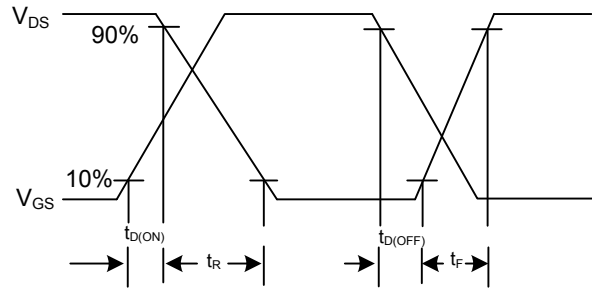


Peak Diode Recovery dv/dt Waveforms

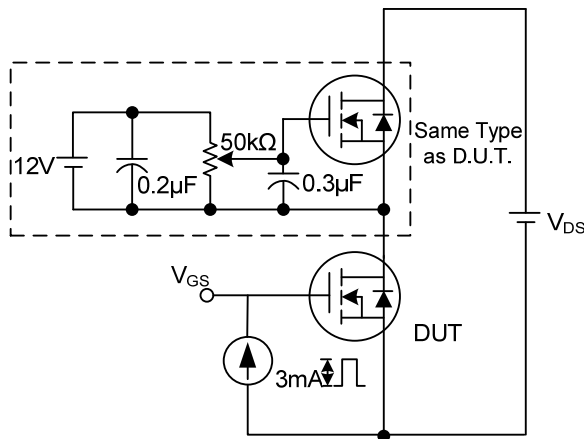
■ TEST CIRCUITS AND WAVEFORMS (Cont.)



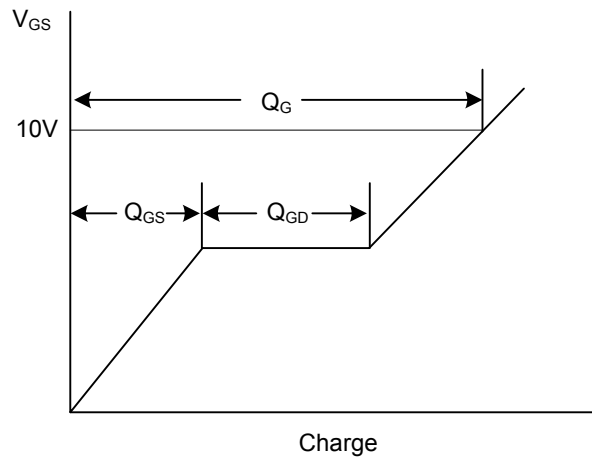
Switching Test Circuit



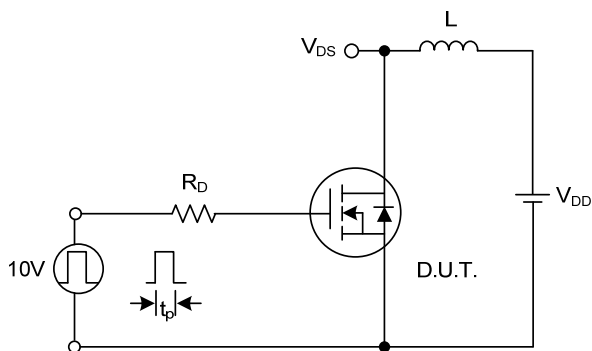
Switching Waveforms



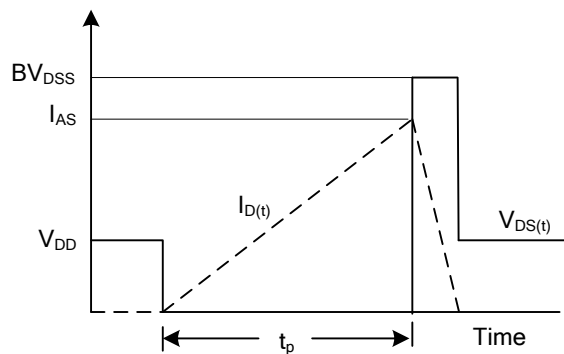
Gate Charge Test Circuit



Gate Charge Waveform



Unclamped Inductive Switching Test Circuit



Unclamped Inductive Switching Waveforms

UTC assumes no responsibility for equipment failures that result from using products at values that exceed, even momentarily, rated values (such as maximum ratings, operating condition ranges, or other parameters) listed in products specifications of any and all UTC products described or contained herein. UTC products are not designed for use in life support appliances, devices or systems where malfunction of these products can be reasonably expected to result in personal injury. Reproduction in whole or in part is prohibited without the prior written consent of the copyright owner. The information presented in this document does not form part of any quotation or contract, is believed to be accurate and reliable and may be changed without notice.